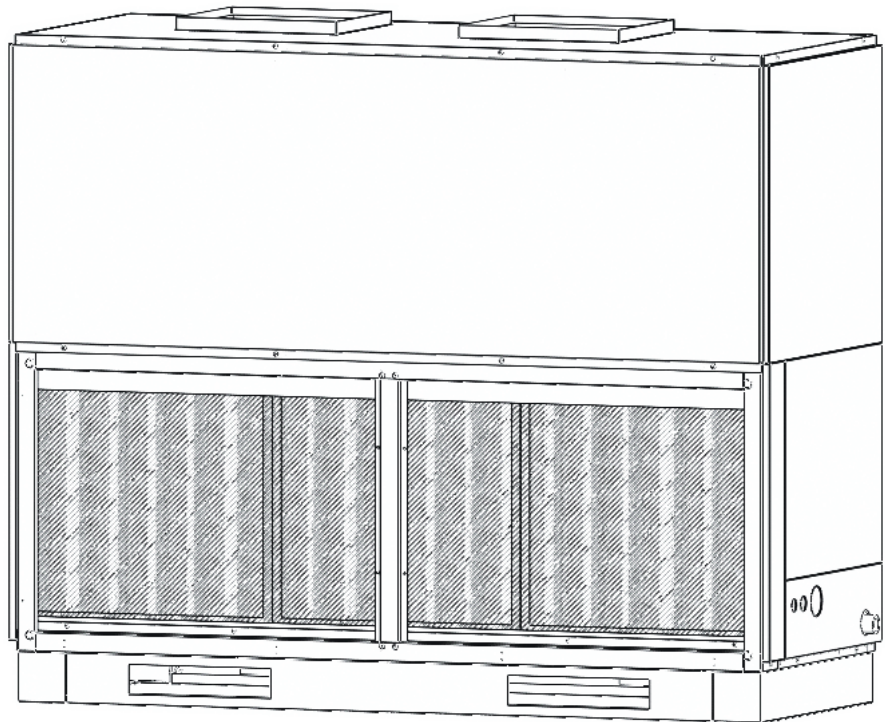
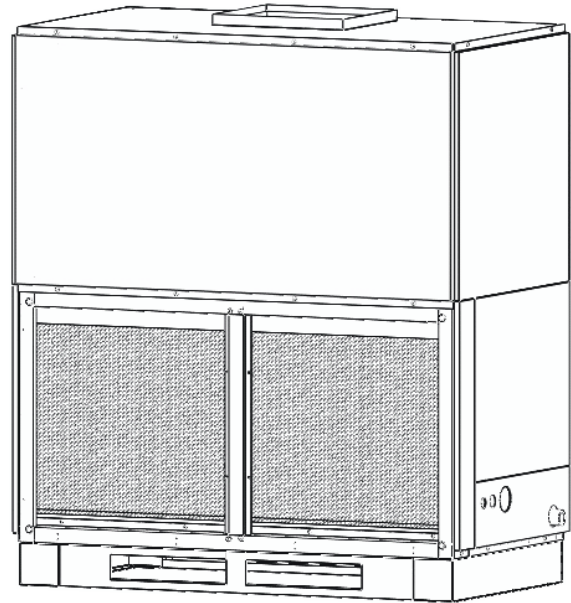


MODEL CAHV/H (CAHH)

AIR HANDLING UNIT

**AIR QUANTITY
FROM 1,950 TO
20,000 CFM.**

**COOLING CAPACITY
FROM 80,000 TO
754,000 BTUH**



FEATURES

- Easy Installation & Maintenance
- High Performance & External static
- Heavy-duty Blower
- Copper tube with Aluminium Fin Coils

UNI - Aire[®]

Air Conditioning Experts

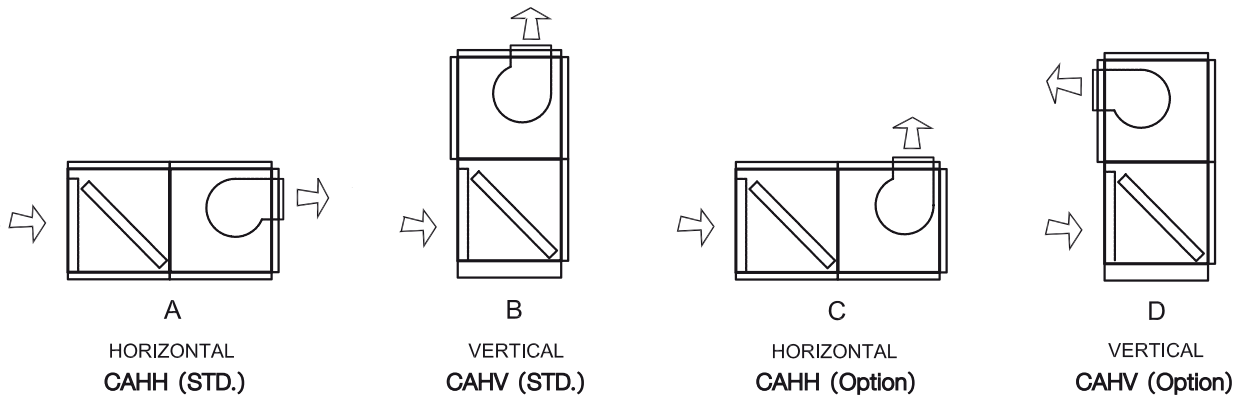
PHYSICAL DATA & ELECTRICAL DATA

Fan Coil Unit	Model		CAHV/H																	
	DX. COIL		007	009	010	012	015	020	025	030	040	050	060	075						
Cooling Capacity	BTUH		80,000	93,000	111,000	121,000	156,000	209,000	255,000	312,000	406,000	502,000	601,000	754,000						
Blower	Type		Belt - Drive																	
	Air Quantity (Nominal)	CFM	1,950	2,500	2,950	3,300	4,250	6,500	7,000	8,000	10,500	13,400	16,000	20,000						
	Air Quantity Range	CFM	1,450-2,450	2,000-3,000	2,450-3,450	2,800-3,800	3,250-5,250	5,000-8,000	5,000-9,000	6,000-10,000	8,500-12,500	10,400-16,400	12,000-20,000	17,000-23,000						
	Qty.		1					2												
Motor Explosion Proof	Di. X Length	Inch	KAT 10 x 10		KAT 12 x 12	KAT 10 x 8	KAT 10 x 10	KAT 12 x 12		KAT 15 x 15		KAT 18 x 13	KAT 18 x 18	FDA 500						
	Power output	HP	1		2		3		4		5.5		7.5							
	Speed (Std.)	RPM	1,425		1,425		1,435		1,445		1,445		1,465							
		Volt/Phase/Hz	380 / 3 / 50																	
	Full Load Amp.	Amp.	1.93		3.5		4.85		6.3		8.29		10.9		14.4		24.87			
Cooling Coil	Type		Aluminium Louver Fin with Inner Groove Copper Tube																	
	Fin / Inch.		12		14		12		14		12		14							
	Row		4				3				4									
	Circuit	Qty.	1					2												
	Tube Size	Inch	3/8																	
Connection	Face Area	ft ²	5.50	5.50	6.00	7.00	9.00	14.58	14.58	17.50	22.75	26.83	32.26	40.63						
	Suction OD	Inch	1-1/8		1-3/8		1-3/8		1-5/8		2-1/8		1-5/8 x 2		2-1/8 x 2					
	Liquid OD	Inch	5/8		5/8		5/8		7/8		7/8		7/8 x 2		7/8 x 2					
	Drain FPT	Inch	3/4"			1			1-1/4											
Insulation	Thickness	Inch (mm)	10																	
			127																	
Air Filter	CAHV W x L x Thk.	mm	490 x 560 x 20		490 x 457 x 20		490 x 524 x 20		498 x 675 x 45		498 x 405 x 45		454 x 475 x 45		550 x 470 x 45		550 x 560 x 45		575 x 650 x 45	
		Qty.	2		3		3		4		8		10		10		10		10	
	CAHH W x L x Thk.	mm	465 x 560 x 20		465 x 455 x 20		465 x 520 x 20		398 x 520 x 45		498 x 590 x 45		690 x 454 x 45		550 x 470 x 45		550 x 560 x 45		575 x 650 x 45	
		Qty.	2		3		3		5		4		5		10		10		10	
Dimension : CAHV	Width	mm	1,156		1,406		1,606		2,030		2,030		2,302		2,400		2,850		3,300	
	Height	mm	1,330		1,330		1,330		1,667		1,877		2,123		2,650		2,650		2,760	
	Depth	mm	637		637		637		744		802		898		1,050		1,050		1,195	
Weight	kgs	131	131	146	161	186	240	260	305	365	415	470	500							
Dimension : CAHH	Width	mm	1154		1404		1604		2,032		2,032		2,376		2,400		2,850		3,300	
	Height	mm	656		656		656		772		832		934		1,393		1,393		1,449	
	Depth	mm	1234		1234		1234		1,561		1,778		2,023		2,064		2,064		2,354	
Weight	kgs	131	131	146	161	186	240	260	305	365	450	510	542							

Cooling capacity based on 80°F Db, 67°F Wb air on entering coil
95°F Db, 83°F Wb ambient temp.

Specification are subjected to change without notice for future improvement.

ALTERNATE BLOWER ARRANGEMENTS



Orders without specific blower arrangement will be considered as standard configuration (A or B)



Manufactured by : UNITED TECHNOLOGY DEVELOPEMENT CO.,LTD.

Distributed by: **UNI-AIRE CORPORATION CO., LTD.**

69 Moo 3 Kingkaew Rd.,Bangplee,Samutprakarn 10540 THAILAND Tel. 02-312-4500 Fax.02- 312-4277

69 หมู่ 3 ถ.คิงคอง อ.บางพลี จ.สมุทรปราการ 10540 โทร 02-312-4500 แฟกซ์ 02-312-4277

http://www.uni-aire.com E-mail:localsale@uni-aire.com, marketing@uni-aire.com